



Dashboard

4 inch – 5 inch
product manual
V1.0



Table of contents

- 1. Safety Information..... 3
- 2. Declaration of Conformity..... 3
- 3. Box Contents 4
- 4. Product Dimensions 5
- 5. Mounting Options 6
 - 5.1. Fanatec Mounting 6
 - 5.2. Simucube Mounting 7
- 6. Getting Started 8
 - 6.1. Software Installation 8
 - 6.2. Display Driver Installation 8
 - 6.3. Dashboard Import 8
 - 6.4. Add Device..... 9
- 7. Troubleshooting 10
 - 7.1. Display shows incorrect image – shifted image 10

1. Safety Information

Thank you for purchasing the Ascher Racing Dashboard. Please read the manual carefully before installing and using the product.

The dashboard is designed to be used in a competitive sim racing environment for indoor use only and connects via the provided USB-C cable to a Windows PC.

Please note the following general safety aspects:

- The device must not be exposed to rain or humidity to avoid the risk of fire and electric shock.
- Do not operate or store the device outside of room temperature, 15°C to 35°C
- We strongly advise you not to drive a vehicle immediately after driving a racing simulation.
- This product is not intended for children under the age of 15 years.
- Contains small pieces – danger of swallowing!
- Extended periods of driving a simulation may cause health risks. Take a break of 5 minutes every 20 minutes and do not exceed 2 hours of total driving time per day.
- Keep hair, clothing and jewelry away from the product when in use.
- Only one person may use the product at any given time. Keep other persons away from the product when in use.
- Do not disassemble the product beyond what is described in this product manual.
- Make sure the dashboard is mounted securely to your wheel base and screws are tightened properly before use.
- Do not leave the device exposed to a heat source or in a high-temperature location, such as in the sun in an unattended vehicle. To prevent the possibility of damage, remove the device from the vehicle or store it out of direct sunlight.

2. Declaration of Conformity

It's in conformity with the essential requirements and other relevant requirements of the Radio Equipment Directive (RED) (2014/53/EU).

This device complies with Part 15 of the FCC Rules. Operation is subject to the following two conditions:

- This device may not cause harmful interference, and
- this device must accept any interference received, including interference that may cause undesirable operation.

Any changes or modifications not expressly approved by KW automotive GmbH could void the user's authority to operate the equipment.

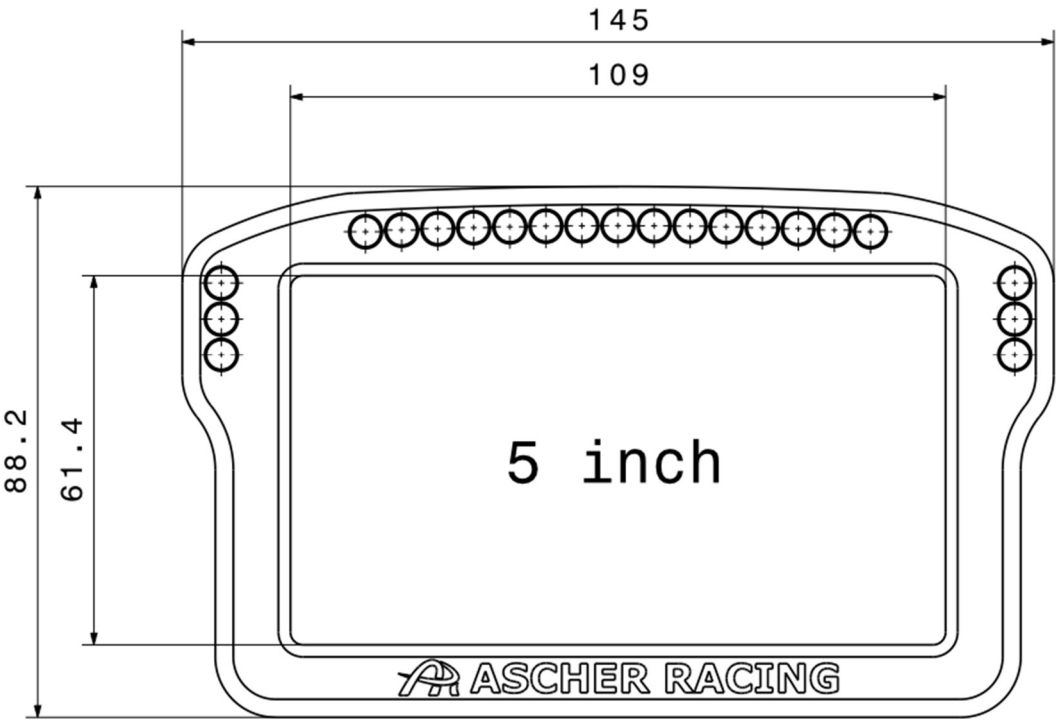
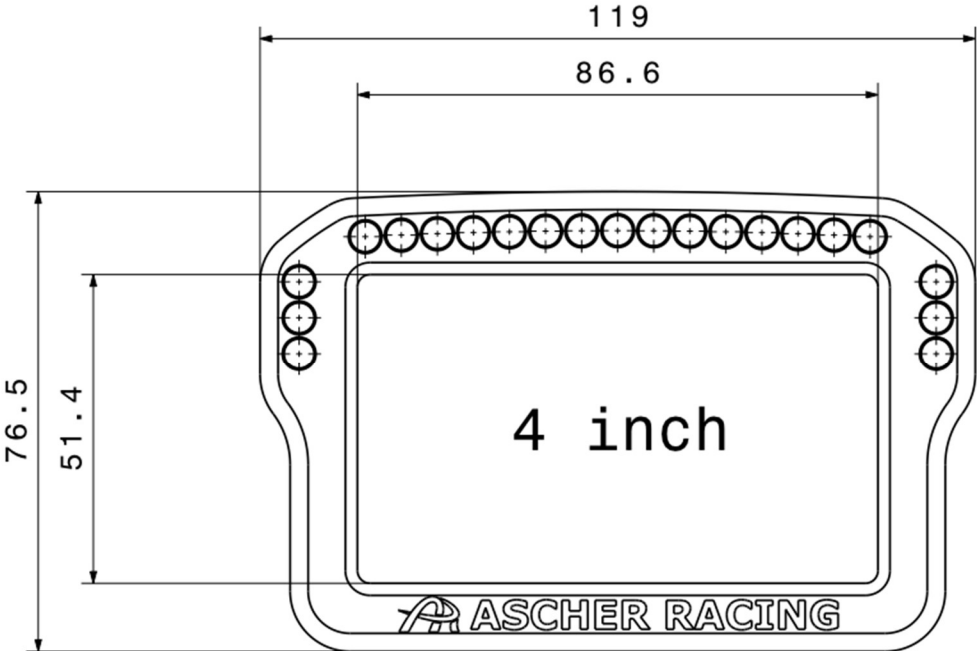
3. Box Contents

The box contains the following components and accessories:

- Ascher Racing Dashboard
- USB-C connection cable
- mounting plate for Fanatec DD1 & DD2
- mounting plate for Simucube SPORT, PRO, ULTIMATE (and all comparable direct drive motors)
- all screws, washers, spacers displayed in this product manual:
 - 2 pcs DIN 933 M4 x 10
 - 2 pcs DIN 933 M4 x 18
 - 2 pcs DIN 125 M4 A4,3
 - 2 pcs DIN 125 M4 A6,4
 - 2 pcs DIN 6912 M6 x 12
 - 2 pcs DIN 6912 M8 x 45
 - 2 pcs aluminium spacer M4-D12-H7
 - 2 pcs aluminium spacer M8-D18-H6

4. Product Dimensions

The dashboard dimensions are shown in the following picture. The overall thickness is 18.0mm, excluding the ON-OFF switch on the rear side.



5. Mounting Options

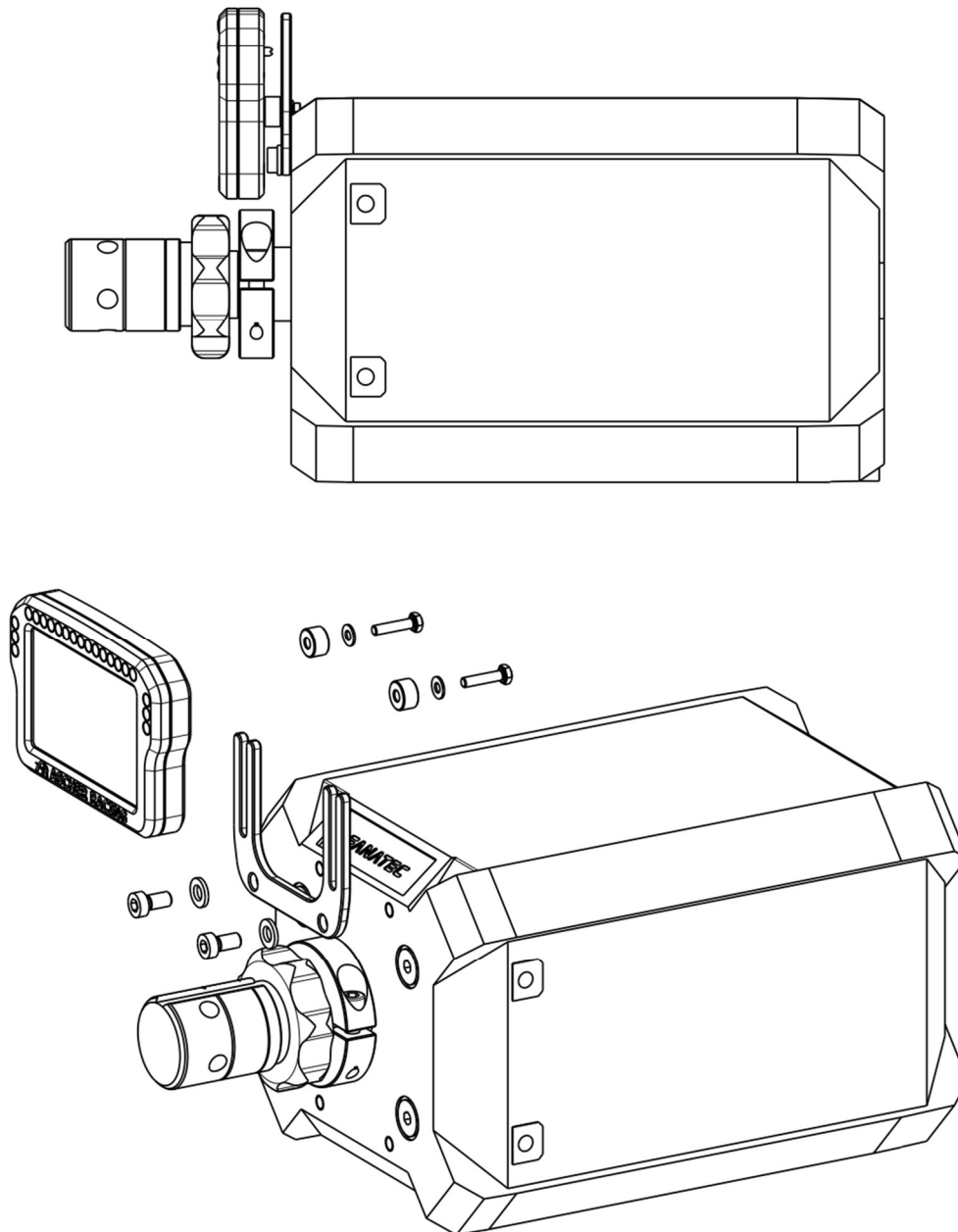
The box contains hardware to mount the dashboard to the following wheel bases:

- Fanatec DD
- Simucube SPORT, PRO, ULTIMATE (and all comparable wheel bases)

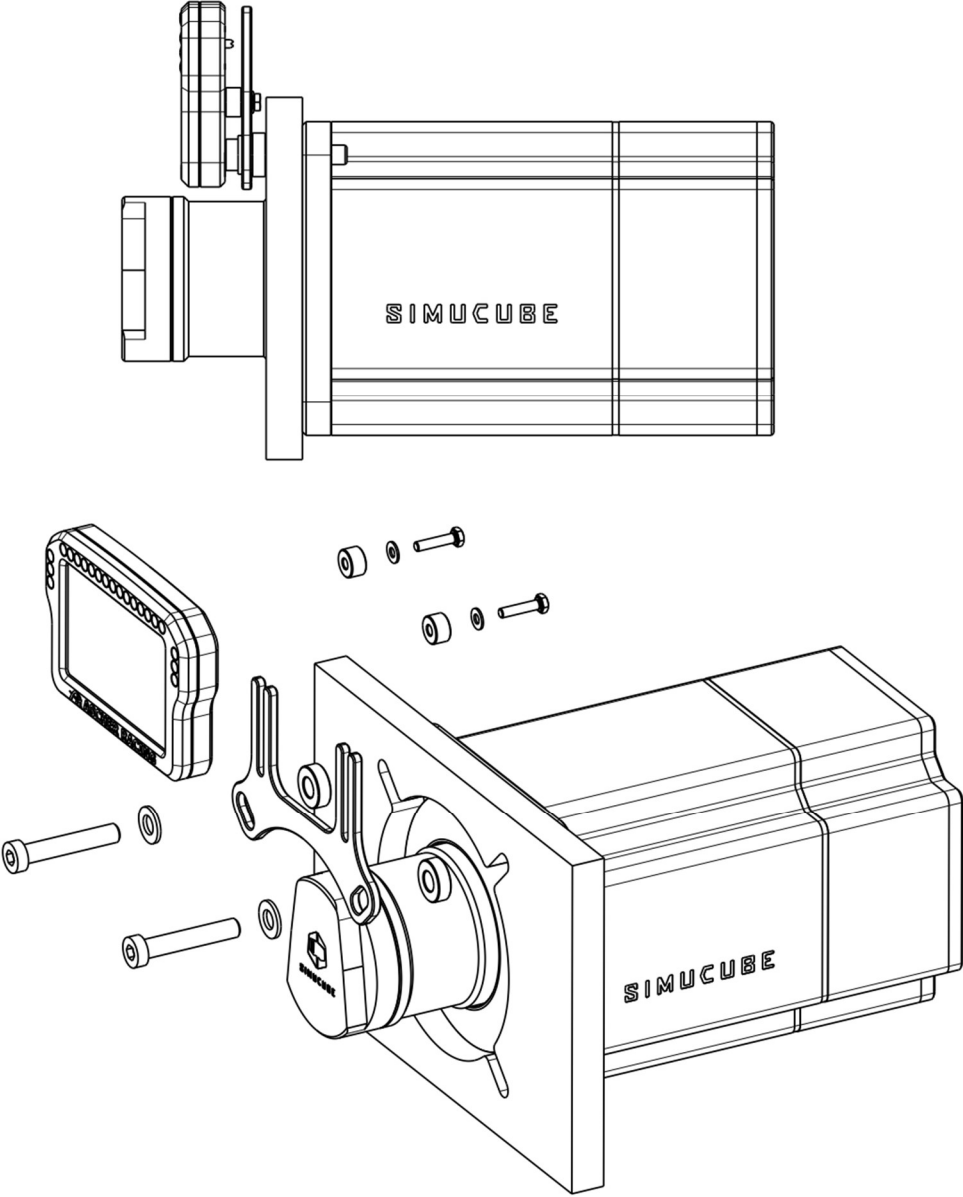
The mounting plate offers slot holes for continuous height adjustment. Use the aluminium spacers for additional adjustment in the direction of the steering axis. Spacers are necessary to generate enough clearance for screw heads and tools in the most downward mounting position.

A 7mm open-end wrench is required to properly tighten the M4 hex bolts.

5.1. Fanatec Mounting



5.2. Simucube Mounting



6. Getting Started

6.1. Software Installation

Download the latest version of SimHub from the official website:

<https://www.simhubdash.com/download-2/>

Follow the installer step by step until SimHub is installed successfully. The dashboard works with the free version of SimHub but it's recommended to get a license and support the development:

<https://www.simhubdash.com/get-a-license/>

A SimHub license will unlock the following features

- drive LEDs and screen with 60 FPS instead of 10 FPS
- automatic game switching
- start minimized
- no nag screens

6.2. Display Driver Installation

Download and install latest VOCORE LCD driver:

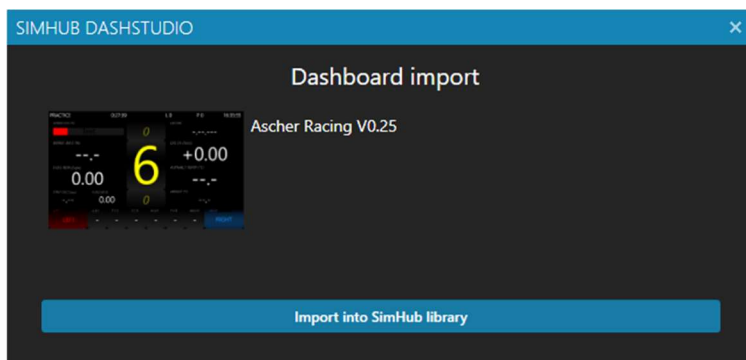
<https://www.simhubdash.com/devices-driver-installation/>

6.3. Dashboard Import

Download the latest Ascher Racing Dashboard or any other SimHub Dashboard:

<https://ascher-racing.com/int/support>

Double click the file, e.g. **Ascher Racing V0.25.simhubdash** and click **Import to SimHub library** to install the dashboard.



6.4. Add Device

Open SimHub, select **Devices** tab on the left and add **Ascher Racing 4"/5" Dashboard** from the list. In the **LCD** tab, select your favorite Main dashboard from the list, e.g. **Ascher Racing V0.25**. In the **LEDs** tab, the Ascher Racing LED profile shows up automatically.

Once the ON-OFF switch on the rear side is switched on, the dashboard shows up as connected within SimHub. Select/ start the simulation in the **Games** tab on the left and have fun racing!

The screenshot displays the SimHub interface with the 'Devices' tab active. The left sidebar contains navigation options: Games, Car settings, Devices (selected), Statistics, Dash Studio, Arduino, Shakelt Wind, Shakelt Bass Shakers, Shakelt Motors, Nextion display, Controls and events, Available properties, Additional plugins, Settings, and System log. The main area shows the 'Ascher Racing 4"/5" Dashboard' device, which is connected. Below the device name, there are options to 'Delete device', 'Rename device', and 'Export device settings'. The configuration panel is divided into sections: 'General' (with options for 'Connect to specific screen', 'Enable touchscreen', and 'Simplified touch mode'), 'Main dashboard' (with a dropdown menu set to 'Ascher Racing V0.2' and a 'Save/Restore last dashboard used' checkbox), 'Idle behaviour' (with options for 'Idle behaviour (when game is n)', 'Power off', and 'Idle dashboard'), and 'Brightness' (with a slider set to 255). The status bar at the bottom indicates 'SimHub 8.2.0 | Status : Licensed' and provides links to 'Wiki' and 'Discord Server'.

7. Troubleshooting

Refer to this section in order to solve common issues.

7.1. Display shows incorrect image – shifted image

If the displayed image is shifted suddenly (e.g. image is split in the middle), the screen firmware is corrupted and needs to be reflashed in order to solve the issue. Download and extract the latest *firmware_dashboard_screen.zip* from the Ascher Racing support page:

<https://ascher-racing.com/int/support>

1. close SimHub, connect USB-C cable and switch ON dashboard
2. open file **v2touch-win64** → **firmware** → **eeeprom.exe**
3. type the following number and press ENTER
 - a. 4" dashboard: **2**
 - b. 5" dashboard: **3**
4. power cycle dashboard (switch OFF and ON)
5. open SimHub to check if the issue is solved